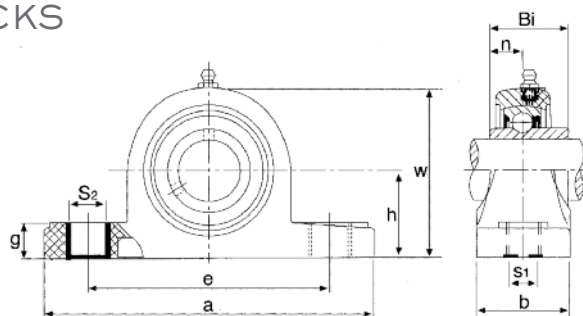
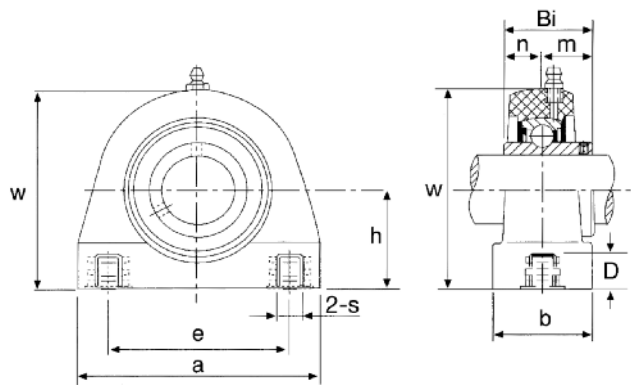


## UCPPL PILLOW BLOCKS

## UCPAPL A TAPPED BASE PILLOW BLOCKS



UCPPL



UCPAPL A

- Reinforced PBT housing – solid base
- Stainless steel wide inner ring bearing

### UCPPL PILLOW BLOCKS

Unit No.	Shaft Dia. d (in.)	Dimension (in) (mm)										Bolt Size (in)	Bearing No.	Housing No.	Weight (lb)
		h	a	e	b	S1	S2	g	w	Bi	n				
UCPPL204-12SS	3/4	1-5/16 33.3	5 127	3-3/4 95	1-1/2 38	7/16 11	9/16 14	9/16 14.2	2-19/32 65.5	1-7/16 31	1/2 12.7	3/8	SSUC204-12	TP-P204	0.638
UCPPL205-16SS	1	1-7/16 36.5	5-9/16 141	4-9/16 105	1-1/2 38	7/16 11	9/16 14	19/32 14.5	2-13/16 71	1-11/32 34.1	9/16 14.3	3/8	SSUC205-16	TP-P205	0.748
UCPPL206-18SS	1-1/8	1-11/16 42.9	6-13/32 163	4-11/16 119	1-13/16 46	9/16 14	23/32 18	23/32 17.8	3-5/16 84	1-1/2 38.1	5/8 15.9	1/2	SSUC206-18 SSUC206-19 SSUC206-20	TP-P206	1.188
UCPPL207-20SS	1-1/4	1-7/8 47.6	6-5/8 168	5 127	1-7/8 48	9/16 14	23/32 18	23/32 18	3-23/32 94.5	1-11/16 42.9	23/32 17.5	1/2	SSUC207-20 SSUC207-22 SSUC207-23	TP-P207	1.716
UCPPL208-24SS	1-1/2	1-15/16 49.2	7-1/4 184	5-13/32 137	2-5/32 54	9/16 14	23/32 18	25/32 19.5	3-29/32 99	1-15/16 49.2	3/4 19	1/2	SSUC208-24	TP-P208	2.134
UCPPL210-31SS	1-15/16	2-1/4 57.2	8-1/8 206	6-9/32 159	2-3/8 60	2-3/8 17	13/16 20	29/32 23	4-1/2 114	2-1/32 51.6	3/4 19	5/8	SSUC210-31	TP-P210	3.02

\* Lubricated with food grade grease.

### UCPAPL A TAPPED BASE PILLOW BLOCKS – DOMESTIC DIMENSIONS

Unit No.	Shaft Dia.	Dimension (in) (mm)										Bearing No.	Housing No.	Weight (lb)
		h	a	e	b	Bolt Size S-UNC	w	D	Bi	n	m			
UCPAPL204-12ASS	3/4	1-5/16 33.3	2-7/8 73.0	2 50.8	1-1/2 38.1	3/8-16	2-19/32 65.9	7/16 11.1	1.22 31.00	0.500 12.70	0.720 18.30	SSUC204-12	TP-PA204A	0.60
UCPAPL205-16ASS	1	1-7/16 36.5	3 76.2	2 50.8	1-1/2 38.1	3/8-16	2-7/8 72.0	7/16 12.0	1.34 34.10	0.563 14.30	0.780 19.80	SSUC205-16	TP-PA205A	0.728
UCPAPL206-20ASS	1-1/4	1-11/16 42.9	4 101.6	3 76.2	1-1/2 38.1	7/16-14	4-3/8 111.1	11/16 17.5	1.50 38.10	0.626 15.90	0.874 22.20	SSUC206-20	TP-PA206A	1.24
UCPAPL207-20ASS	1-1/4	1-7/8 47.6	4-3/8 110.0	3-1/4 82.6	1-7/8 48.0	1/2-13	3-13/32 96.0	5/8 16.0	1.69 42.90	0.689 17.50	1.000 25.40	SSUC207-20	TP-PA207A	1.72
UCPAPL207-23ASS	1-7/16	1-7/8 47.60	4-3/8 110.0	3-1/4 82.6	1-7/8 48.0	1/2-13	3-13/32 96.0	5/8 16.0	1.69 42.90	0.689 17.50	1.000 25.40	SSUC207-23	TP-PA207A	1.72
UCPAPL208-24ASS	1-1/2	1-15/16 49.2	4-3/4 120.0	3-1/2 88.9	1-7/8 48.0	1/2-13	4 101.6	41/64 16.0	1.94 49.20	0.748 19.00	1.189 30.20	SSUC208-24	TP-PA208A	2.10

\* Lubricated with food grade grease.

