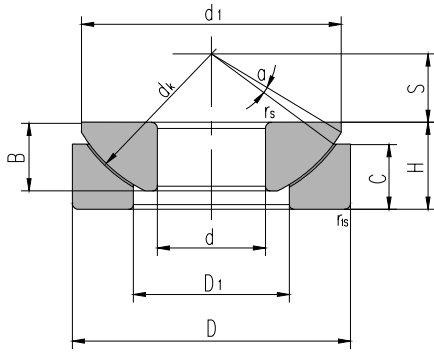


SPHERICAL PLAIN THRUST BEARINGS

GX...T SERIES – METRIC



Specifications

- Sliding Surface: PTFE Lined Steel Outer on Chrome Plated Ball
- Maintenance Free - Low Friction
- Suitable for single direction Axial (Thrust) Loads or combined Axial & Radial loads

Part #	Ref #	Dimensions (mm)											Load Ratings kN		Weight LBS
		d	D	B	C	H	dk	S	d _{1 max}	D _{1 min}	r _s , r _{1s} min	α ≈	Dynamic	Static	
GX 10F	GX10T	10	30	7.5	7	9.5	32	7	27.5	15.5	0.6	5	45	90	.079
GX 12F	GX12T	12	35	9.5	9.3	13	38	8	32	18	0.6	5	65	130	.158
GX 15F	GX15T	15	42	11	10.8	15	46	10	39	22.5	0.6	6	95	190	.237
GX 17F	GX17T	17	47	11.8	11.2	16	52	11	43.5	27	0.6	4	110	220	.30
GX 20F	GX20T	20	55	14.5	13.8	20	60	12.5	50	31	1	5	150	300	.541
GX 25F	GX25T	25	62	16.5	16.7	22.5	68	14	58.5	34.5	1	5	245	490	.913
GX 30F	GX30T	30	75	19	19	26	82	17.5	70	42	1	5	335	670	1.35
GX 35F	GX35T	35	90	22	20.7	28	98	22	84	50.5	1	5	490	980	2.15
GX 40F	GX40T	40	105	27	21.5	32	114	24.5	97	59	1	6	675	1350	3.50
GX 45F	GX45T	45	120	31	25.5	36.5	128	27.5	110	67	1	6	915	1830	4.93
GX 50F	GX50T	50	130	33	30.5	42.5	139	30	120	70	1	6	1040	2080	6.91
GX 60F	GX60T	60	150	37	34	45	160	35	140	84	1	6	1400	2800	10.19
GX 70F	GX70T	70	160	42	36.5	50	176	35	153	94.5	1	3	1590	3180	11.81
GX 80F	GX80T	80	180	43.5	38	50	197	42.5	172	107.5	1	4	1980	3920	15.20
GX 100F	GX100T	100	210	51	46	59	222	45	198	127	1.1	4	2270	4540	24.00
GX 120F	GX120T	120	230	53.5	50	64	250	52.5	220	145	1.1	3	2560	5720	30.58
GX 140F	GX140T	140	260	61	54	72	274	52.5	243	177	1.5	3	3050	6100	39.82
GX 160F	GX160T	160	290	66	58	77	313	65	271	200	1.5	2	3520	6250	51.04
GX 180F	GX180T	180	320	74	62	86	340	67.5	299	225	1.5	4	4070	7220	68.00
GX 200F	GX200T	200	340	80	66	87	365	70	320	247	1.5	1	4780	9150	75.24

Common Interchanges (100mm Bore): GE100AW



www.abtbearing.com • 1-800-931-1860