

SL Series (DU Equivalent) Metal Polymer Self Lubricating Bushings

SL Bearings are a composite multi-layer dry self-lubricating bearing that provides an excellent match between mechanical strength and a low coefficient of friction



Descriptions:

- Material – Steel + porous bronze sinter + PTFE + Pb
- Metal-polymer composite material
- Self-lubricating and Maintenance-free

Characteristics:

- SL bearings, used dry, provide excellent wear and friction performance over a wide range of loads, speeds, and temperature conditions
- SL bearings also perform well with lubrication

Applications:

Agricultural equipment, construction equipment, material handling equipment, office equipment, medical and scientific equipment, packaging equipment, pneumatic and hydraulic cylinders, pumps and motors, textile machinery, marine and offshore equipment.

Structure:

- Sliding layer (PTFE/Pb)
- Porous bronze sinter
- Steel backing
- Zinc plating

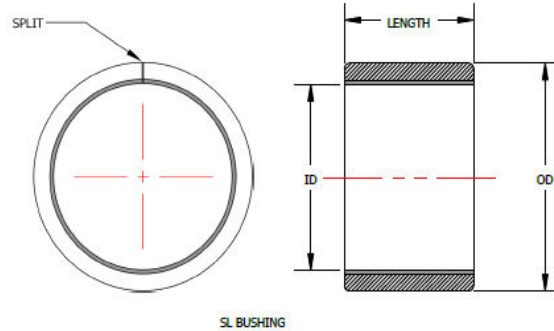
Physical and Mechanical Properties:

Thermal Conductivity	40 W/mK
Operating Temperature	-330 F to 400 F
Compressive Yield Strength	50,000 PSI
Maximum Static Load P _{sta} , max	36,000 PSI
Maximum Dynamic Load P _{dyn} , max	20,000 PS
Maximum Sliding Speed V-dry	450 FT/Min
Coefficient of friction f-dry	0.02-0.25
Coefficient of friction f-oil lubricated	0.02-0.12



SL Series (DU Equivalent)

Metal Polymer Self Lubricating Bushings



Part No.	Ref	Nominal ID	Nominal OD	Length	Shaft Dia. (Max)	Shaft Dia. (Min)	Housing Bore (Max)	Housing Bore (Min)	Installed ID (Max)	Installed ID (Min)
02X02SL	02DU02	1/8	3/16	1/8	0.1243	0.1236	0.1878	0.1873	0.1268	0.1243
02X03SL	02DU03	1/8	3/16	3/16	0.1243	0.1236	0.1878	0.1873	0.1268	0.1243
03X03SL	03DU03	3/16	1/4	3/16	0.1865	0.1858	0.2503	0.2497	0.1893	0.1867
03X04SL	03DU04	3/16	1/4	1/4	0.1865	0.1858	0.2503	0.2497	0.1893	0.1867
03X06SL	03DU06	3/16	1/4	3/8	0.1865	0.1858	0.2503	0.2497	0.1893	0.1867
04X04SL	04DU04	1/4	5/16	1/4	0.2490	0.2481	0.3128	0.3122	0.2518	0.2492
04X06SL	04DU06	1/4	5/16	3/8	0.2490	0.2481	0.3128	0.3122	0.2518	0.2492
05X06SL	05DU06	5/16	3/8	3/8	0.3115	0.3106	0.3753	0.3747	0.3143	0.3117
05X08SL	05DU08	5/16	3/8	1/2	0.3115	0.3106	0.3753	0.3747	0.3143	0.3117
06X03SL	06DU03	3/8	15/32	3/16	0.374	0.3731	0.4691	0.4684	0.3769	0.3742
06X04SL	06DU04	3/8	15/32	1/4	0.374	0.3731	0.4691	0.4684	0.3769	0.3742
06X06SL	06DU06	3/8	15/32	3/8	0.374	0.3731	0.4691	0.4684	0.3769	0.3742
06X08SL	06DU08	3/8	15/32	1/2	0.374	0.3731	0.4691	0.4684	0.3769	0.3742
06X10SL	06DU10	3/8	15/32	5/8	0.374	0.3731	0.4691	0.4684	0.3769	0.3742
06X12SL	06DU12	3/8	15/32	3/4	0.374	0.3731	0.4691	0.4684	0.3769	0.3742
07X08SL	07DU08	7/16	17/32	1/2	0.4365	0.4355	0.5316	0.5309	0.4394	0.4367
07X12SL	07DU12	7/16	17/32	3/4	0.4365	0.4355	0.5316	0.5309	0.4394	0.4367
08X04SL	08DU04	1/2	19/32	1/4	0.499	0.498	0.5941	0.5934	0.5019	0.4992
08X06SL	08DU06	1/2	19/32	3/8	0.499	0.498	0.5941	0.5934	0.5019	0.4992
08X08SL	08DU08	1/2	19/32	1/2	0.499	0.498	0.5941	0.5934	0.5019	0.4992
08X10SL	08DU10	1/2	19/32	5/8	0.499	0.498	0.5941	0.5934	0.5019	0.4992
08X12SL	08DU12	1/2	19/32	3/4	0.499	0.498	0.5941	0.5934	0.5019	0.4992
08X14SL	08DU14	1/2	19/32	7/8	0.499	0.498	0.5941	0.5934	0.5019	0.4992
09X06SL	09DU06	9/16	21/32	3/8	0.5615	0.5605	0.6566	0.6559	0.5644	0.5617
09X08SL	09DU08	9/16	21/32	1/2	0.5615	0.5605	0.6566	0.6559	0.5644	0.5617
09X10SL	09DU10	9/16	21/32	5/8	0.5615	0.5605	0.6566	0.6559	0.5644	0.5617
09X12SL	09DU12	9/16	21/32	3/4	0.5615	0.5605	0.6566	0.6559	0.5644	0.5617
10X04SL	10DU04	5/8	23/32	1/4	0.624	0.623	0.7192	0.7184	0.627	0.6242
10X08SL	10DU08	5/8	23/32	1/2	0.624	0.623	0.7192	0.7184	0.627	0.6242
10X12SL	10DU12	5/8	23/32	3/4	0.624	0.623	0.7192	0.7184	0.627	0.6242
10X14SL	10DU14	5/8	23/32	7/8	0.624	0.623	0.7192	0.7184	0.627	0.6242
10X16SL	10DU16	5/8	23/32	1	0.624	0.623	0.7192	0.7184	0.627	0.6242
11X14SL	11DU14	11/16	23/32	7/8	0.6865	0.6855	0.7817	0.7809	0.6895	0.6867
12X04SL	12DU04	3/4	7/8	1/4	0.7491	0.7479	0.8755	0.8747	0.7525	0.7493
12X06SL	12DU06	3/4	7/8	3/8	0.7491	0.7479	0.8755	0.8747	0.7525	0.7493
12X08SL	12DU08	3/4	7/8	1/2	0.7491	0.7479	0.8755	0.8747	0.7525	0.7493

Part No.	Ref	Nominal ID	Nominal OD	Length	Shaft Dia. (Max)	Shaft Dia. (Min)	Housing Bore (Max)	Housing Bore (Min)	Installed ID (Max)	Installed ID (Min)
12X10SL	12DU10	3/4	7/8	5/8	0.7491	0.7479	0.8755	0.8747	0.7525	0.7493
12X12SL	12DU12	3/4	7/8	3/4	0.7491	0.7479	0.8755	0.8747	0.7525	0.7493
12X16SL	12DU16	3/4	7/8	1	0.7491	0.7479	0.8755	0.8747	0.7525	0.7493
14X04SL	14DU04	7/8	1	1/4	0.8741	0.8729	1.0005	0.9997	0.8775	0.8743
14X06SL	14DU06	7/8	1	3/8	0.8741	0.8729	1.0005	0.9997	0.8775	0.8743
14X12SL	14DU12	7/8	1	3/4	0.8741	0.8729	1.0005	0.9997	0.8775	0.8743
14X14SL	14DU14	7/8	1	7/8	0.8741	0.8729	1.0005	0.9997	0.8775	0.8743
14X16SL	14DU16	7/8	1	1	0.8741	0.8729	1.0005	0.9997	0.8775	0.8743
14X20SL	14DU20	7/8	1	1 1/4	0.8741	0.8729	1.0005	0.9997	0.8775	0.8743
16X06SL	16DU06	1	1 1/8	3/8	0.9991	0.9979	1.1256	1.1246	1.0026	0.9992
16X08SL	16DU08	1	1 1/8	1/2	0.9991	0.9979	1.1256	1.1246	1.0026	0.9992
16X12SL	16DU12	1	1 1/8	3/4	0.9991	0.9979	1.1256	1.1246	1.0026	0.9992
16X16SL	16DU16	1	1 1/8	1	0.9991	0.9979	1.1256	1.1246	1.0026	0.9992
16X20SL	16DU20	1	1 1/8	1 1/4	0.9991	0.9979	1.1256	1.1246	1.0026	0.9992
16X24SL	16DU24	1	1 1/8	1 1/2	0.9991	0.9979	1.1256	1.1246	1.0026	0.9992
18X06SL	18DU06	1 1/8	1 9/32	3/8	1.1238	1.1226	1.2818	1.2808	1.1278	1.124
18X10SL	18DU10	1 1/8	1 9/32	5/8	1.1238	1.1226	1.2818	1.2808	1.1278	1.124
18X12SL	18DU12	1 1/8	1 9/32	3/4	1.1238	1.1226	1.2818	1.2808	1.1278	1.124
18X16SL	18DU16	1 1/8	1 9/32	1	1.1238	1.1226	1.2818	1.2808	1.1278	1.124
20X06SL	20DU06	1 1/4	1 13/32	3/8	1.2488	1.2472	1.4068	1.4058	1.2528	1.249
20X12SL	20DU12	1 1/4	1 13/32	3/4	1.2488	1.2472	1.4068	1.4058	1.2528	1.249
20X14SL	20DU14	1 1/4	1 13/32	7/8	1.2488	1.2472	1.4068	1.4058	1.2528	1.249
20X16SL	20DU16	1 1/4	1 13/32	1	1.2488	1.2472	1.4068	1.4058	1.2528	1.249
20X20SL	20DU20	1 1/4	1 13/32	1 1/4	1.2488	1.2472	1.4068	1.4058	1.2528	1.249
20X28SL	20DU28	1 1/4	1 13/32	1 3/4	1.2488	1.2472	1.4068	1.4058	1.2528	1.249
22X12SL	22DU12	1 3/8	1 17/32	3/4	1.3738	1.3722	1.5318	1.5308	1.3778	1.374
22X16SL	22DU16	1 3/8	1 17/32	1	1.3738	1.3722	1.5318	1.5308	1.3778	1.374
22X24SL	22DU24	1 3/8	1 17/32	1 1/2	1.3738	1.3722	1.5318	1.5308	1.3778	1.374
22X28SL	22DU28	1 3/8	1 17/32	1 3/4	1.3738	1.3722	1.5318	1.5308	1.3778	1.374
24X08SL	24DU08	1 1/2	1 21/32	1/2	1.4988	1.4972	1.6568	1.6558	1.5028	1.499
24X16SL	24DU16	1 1/2	1 21/32	1	1.4988	1.4972	1.6568	1.6558	1.5028	1.499
24X18SL	24DU18	1 1/2	1 21/32	1.125	1.4988	1.4972	1.6568	1.6558	1.5028	1.499
24X20SL	24DU20	1 1/2	1 21/32	1 1/4	1.4988	1.4972	1.6568	1.6558	1.5028	1.499
24X24SL	24DU24	1 1/2	1 21/32	1 1/2	1.4988	1.4972	1.6568	1.6558	1.5028	1.499
24X32SL	24DU32	1 1/2	1 21/32	2	1.4988	1.4972	1.6568	1.6558	1.5028	1.499
26X16SL	26DU16	1 5/8	1 25/32	1	1.6238	1.6222	1.7818	1.7808	1.6278	1.624
26X24SL	26DU24	1 5/8	1 25/32	1.5	1.6238	1.6222	1.7818	1.7808	1.6278	1.624
28X28SL	28DU28	1 3/4	1 15/16	1 3/4	1.7487	1.7471	1.9381	1.9371	1.7535	1.7489
28X32SL	28DU32	1 3/4	1 15/16	2	1.7487	1.7471	1.9381	1.9371	1.7535	1.7489
30X12SL	30DU12	1 7/8	2 1/16	3/4	1.8737	1.8721	2.0633	2.0621	1.8787	1.8739
30X16SL	30DU16	1 7/8	2 1/16	1	1.8737	1.8721	2.0633	2.0621	1.8787	1.8739
30X30SL	30DU30	1 7/8	2 1/16	1 7/8	1.8737	1.8721	2.0633	2.0621	1.8787	1.8739
30X36SL	30DU36	1 7/8	2 1/16	2 1/4	1.8737	1.8721	2.0633	2.0621	1.8787	1.8739
32X08SL	32DU08	2	2 3/16	1/2	1.9987	1.9969	2.1883	2.1871	2.0037	1.9989
32X16SL	32DU16	2	2 3/16	1	1.9987	1.9969	2.1883	2.1871	2.0037	1.9989
32X24SL	32DU24	2	2 3/16	1 1/2	1.9987	1.9969	2.1883	2.1871	2.0037	1.9989
32X28SL	32DU28	2	2 3/16	1 3/4	1.9987	1.9969	2.1883	2.1871	2.0037	1.9989
32X32SL	32DU32	2	2 3/16	2	1.9987	1.9969	2.1883	2.1871	2.0037	1.9989
32X40SL	32DU40	2	2 3/16	2 1/2	1.9987	1.9969	2.1883	2.1871	2.0037	1.9989
34X08SL	34DU08	2 1/8	2 5/16	1/2	2.1257	2.1239	2.313	2.3118	2.1326	2.1262
34X12SL	34DU12	2 1/8	2 5/16	3/4	2.1257	2.1239	2.313	2.3118	2.1326	2.1262
34X16SL	34DU16	2 1/8	2 5/16	1	2.1257	2.1239	2.313	2.3118	2.1326	2.1262
34X24SL	34DU24	2 1/8	2 5/16	1 1/2	2.1257	2.1239	2.313	2.3118	2.1326	2.1262
34X28SL	34DU28	2 1/8	2 5/16	1 3/4	2.1257	2.1239	2.313	2.3118	2.1326	2.1262
34X32SL	34DU32	2 1/8	2 5/16	2	2.1257	2.1239	2.313	2.3118	2.1326	2.1262

Part No.	Ref	Nominal ID	Nominal OD	Length	Shaft Dia. (Max)	Shaft Dia. (Min)	Housing Bore (Max)	Housing Bore (Min)	Installed ID (Max)	Installed ID (Min)
34X48SL	34DU48	2 1/8	2 5/16	3	2.1257	2.1239	2.313	2.3118	2.1326	2.1262
34X64SL	34DU64	2 1/8	2 5/16	4	2.1257	2.1239	2.313	2.3118	2.1326	2.1262
36X28SL	36DU28	2 1/4	2 7/16	1 3/4	2.2507	2.2489	2.4377	2.4365	2.2573	2.2509
36X32SL	36DU32	2 1/4	2 7/16	1 3/4	2.2507	2.2489	2.4377	2.4365	2.2573	2.2509
36X36SL	36DU36	2 1/4	2 7/16	2 1/4	2.2507	2.2489	2.4377	2.4365	2.2573	2.2509
36X40SL	36DU40	2 1/4	2 7/16	2 1/2	2.2507	2.2489	2.4377	2.4365	2.2573	2.2509
36X48SL	36DU48	2 1/4	2 7/16	3	2.2507	2.2489	2.4377	2.4365	2.2573	2.2509
36X56SL	36DU56	2 1/4	2 7/16	3 1/2	2.2507	2.2489	2.4377	2.4365	2.2573	2.2509
36X60SL	36DU60	2 1/4	2 7/16	3 3/4	2.2507	2.2489	2.4377	2.4365	2.2573	2.2509
36X64SL	36DU64	2 1/4	2 7/16	4	2.2507	2.2489	2.4377	2.4365	2.2573	2.2509
36X72SL	36DU72	2 1/4	2 7/16	4 1/2	2.2507	2.2489	2.4377	2.4365	2.2573	2.2509
40X16SL	40DU16	2 1/2	2 11/16	1	2.5011	2.4993	2.6881	2.6869	2.5077	2.5013
40X26SL	40DU26	2 1/2	2 11/16	1 5/8	2.5011	2.4993	2.6881	2.6869	2.5077	2.5013
40X32SL	40DU32	2 1/2	2 11/16	2	2.5011	2.4993	2.6881	2.6869	2.5077	2.5013
40X40SL	40DU40	2 1/2	2 11/16	2 1/2	2.5011	2.4993	2.6881	2.6869	2.5077	2.5013
40X48SL	40DU48	2 1/2	2 11/16	3	2.5011	2.4993	2.6881	2.6869	2.5077	2.5013
40X56SL	40DU56	2 1/2	2 11/16	3 1/2	2.5011	2.4993	2.6881	2.6869	2.5077	2.5013
40X60SL	40DU60	2 1/2	2 11/16	3 3/4	2.5011	2.4993	2.6881	2.6869	2.5077	2.5013
40X64SL	40DU64	2 1/2	2 11/16	4	2.5011	2.4993	2.6881	2.6869	2.5077	2.5013
40X72SL	40DU72	2 1/2	2 11/16	4 1/2	2.5011	2.4993	2.6881	2.6869	2.5077	2.5013
40X76SL	40DU76	2 1/2	2 11/16	4 3/4	2.5011	2.4993	2.6881	2.6869	2.5077	2.5013
44X32SL	44DU32	2 3/4	2 15/16	2	2.75	2.7482	2.937	2.9358	2.7566	2.7502
44X36SL	44DU36	2 3/4	2 15/16	2 1/4	2.75	2.7482	2.937	2.9358	2.7566	2.7502
44X40SL	44DU40	2 3/4	2 15/16	2 1/2	2.75	2.7482	2.937	2.9358	2.7566	2.7502
44X48SL	44DU48	2 3/4	2 15/16	3	2.75	2.7482	2.937	2.9358	2.7566	2.7502
44X56SL	44DU56	2 3/4	2 15/16	3 1/2	2.75	2.7482	2.937	2.9358	2.7566	2.7502
44X60SL	44DU60	2 3/4	2 15/16	3 3/4	2.75	2.7482	2.937	2.9358	2.7566	2.7502
44X72SL	44DU72	2 3/4	2 15/16	4 1/2	2.75	2.7482	2.937	2.9358	2.7566	2.7502
44X76SL	44DU76	2 3/4	2 15/16	4 3/4	2.75	2.7482	2.937	2.9358	2.7566	2.7502
44X80SL	44DU80	2 3/4	2 15/16	5	2.75	2.7482	2.937	2.9358	2.7566	2.7502
48X32SL	48DU32	3	3 3/16	2	3	2.9982	3.1872	3.1858	3.0068	3.0002
48X36SL	48DU36	3	3 3/16	2 1/4	3	2.9982	3.1872	3.1858	3.0068	3.0002
48X40SL	48DU40	3	3 3/16	2 1/2	3	2.9982	3.1872	3.1858	3.0068	3.0002
48X48SL	48DU48	3	3 3/16	3	3	2.9982	3.1872	3.1858	3.0068	3.0002
48X56SL	48DU56	3	3 3/16	3 1/2	3	2.9982	3.1872	3.1858	3.0068	3.0002
48X60SL	48DU60	3	3 3/16	3 3/4	3	2.9982	3.1872	3.1858	3.0068	3.0002
48X64SL	48DU64	3	3 3/16	4	3	2.9982	3.1872	3.1858	3.0068	3.0002
48X72SL	48DU72	3	3 3/16	4 1/2	3	2.9982	3.1872	3.1858	3.0068	3.0002
48X76SL	48DU76	3	3 3/16	4 3/4	3	2.9982	3.1872	3.1858	3.0068	3.0002
48X80SL	48DU80	3	3 3/16	5	3	2.9982	3.1872	3.1858	3.0068	3.0002
52X32SL	52DU32	3 1/4	3 7/16	2	3.25	3.248	3.4372	3.4358	3.2568	3.2502
52X38SL	52DU38	3 1/4	3 7/16	2 3/8	3.25	3.248	3.4372	3.4358	3.2568	3.2502
52X40SL	52DU40	3 1/4	3 7/16	2 1/2	3.25	3.248	3.4372	3.4358	3.2568	3.2502
52X48SL	52DU48	3 1/4	3 7/16	3	3.25	3.248	3.4372	3.4358	3.2568	3.2502
52X56SL	52DU56	3 1/4	3 7/16	3 1/2	3.25	3.248	3.4372	3.4358	3.2568	3.2502
52X60SL	52DU60	3 1/4	3 7/16	3 3/4	3.25	3.248	3.4372	3.4358	3.2568	3.2502
52X64SL	52DU64	3 1/4	3 7/16	4	3.25	3.248	3.4372	3.4358	3.2568	3.2502
52X72SL	52DU72	3 1/4	3 7/16	4 1/2	3.25	3.248	3.4372	3.4358	3.2568	3.2502
52X76SL	52DU76	3 1/4	3 7/16	4 3/4	3.25	3.248	3.4372	3.4358	3.2568	3.2502
52X80SL	52DU80	3 1/4	3 7/16	5	3.25	3.248	3.4372	3.4358	3.2568	3.2502
56X32SL	56DU32	3 1/2	3 11/16	2	3.5	3.4978	3.6872	3.6858	3.5068	3.5002
56X38SL	56DU38	3 1/2	3 11/16	2 3/8	3.5	3.4978	3.6872	3.6858	3.5068	3.5002
56X40SL	56DU40	3 1/2	3 11/16	2 1/2	3.5	3.4978	3.6872	3.6858	3.5068	3.5002
56X48SL	56DU48	3 1/2	3 11/16	3	3.5	3.4978	3.6872	3.6858	3.5068	3.5002
56X56SL	56DU56	3 1/2	3 11/16	3 1/2	3.5	3.4978	3.6872	3.6858	3.5068	3.5002

Part No.	Ref	Nominal ID	Nominal OD	Length	Shaft Dia. (Max)	Shaft Dia. (Min)	Housing Bore (Max)	Housing Bore (Min)	Installed ID (Max)	Installed ID (Min)
56X60SL	56DU60	3 1/2	3 11/16	3 3/4	3.5	3.4978	3.6872	3.6858	3.5068	3.5002
56X64SL	56DU64	3 1/2	3 11/16	4	3.5	3.4978	3.6872	3.6858	3.5068	3.5002
56X72SL	56DU72	3 1/2	3 11/16	4 1/2	3.5	3.4978	3.6872	3.6858	3.5068	3.5002
56X76SL	56DU76	3 1/2	3 11/16	4 3/4	3.5	3.4978	3.6872	3.6858	3.5068	3.5002
56X80SL	56DU80	3 1/2	3 11/16	5	3.5	3.4978	3.6872	3.6858	3.5068	3.5002
58X32SL	58DU32	3 5/8	3 13/16	2	3.625	3.6228	3.8122	3.8108	3.6138	3.6252
58X36SL	58DU36	3 5/8	3 13/16	2 1/4	3.625	3.6228	3.8122	3.8108	3.6138	3.6252
58X40SL	58DU40	3 5/8	3 13/16	2 1/2	3.625	3.6228	3.8122	3.8108	3.6138	3.6252
58X48SL	58DU48	3 5/8	3 13/16	3	3.625	3.6228	3.8122	3.8108	3.6138	3.6252
58X56SL	58DU56	3 5/8	3 13/16	3 1/2	3.625	3.6228	3.8122	3.8108	3.6138	3.6252
58X60SL	58DU60	3 5/8	3 13/16	3 3/4	3.625	3.6228	3.8122	3.8108	3.6138	3.6252
58X64SL	58DU64	3 5/8	3 13/16	4	3.625	3.6228	3.8122	3.8108	3.6138	3.6252
58X72SL	58DU72	3 5/8	3 13/16	4 1/2	3.625	3.6228	3.8122	3.8108	3.6138	3.6252